

**DOPPIA TEMPERATURA****DUAL TEMPERATURE****"PROSTORE 900"**

Code	Model	Ref.	Page	Version	Notes
190281	PS06RR2FR	d		03	PROSTORE 900 ELUX DUAL TEMP. 0+10/0+10°C REMOTO
190AMH	PS06RR2FR	f		00	2-DR DUAL REFRIG 720L 0/0°C,PROSTORE-REM
<b>190EYQ</b>	<b>PS06RF2FR</b>	<b>j</b>		<b>00</b>	<b>2-DOOR DUAL REFRIGERATOR 720L 0/-22°,PRO</b>
691331	PS06RR2FR	e		05	PROSTORE 900 ELUX DUAL TEMP.TN/TN 0+10/0+10°C REM
691333	PS06RF2FR	c		02	PROSTORE 900 ELUX DUAL TEMP. 0+10/-15-22°C REMOTO
691334	PS06RR2FHC	b		04	PROSTORE 900 ELUX DUAL TEMP.R290 0+10/0+10°C TN/TN
691335	PS06RF2FHC	a		04	PROSTORE 900 ELUX DUAL TEMP.R290 0+10/-15-22°C
<b>691361</b>	<b>PS06RF2FHC</b>	<b>g</b>		<b>00</b>	<b>2-DOOR DUAL REFRIGERATOR 720L 0/-22°,PROSTORE-R290</b>
<b>691375</b>	<b>PS06RF2FR</b>	<b>h</b>		<b>00</b>	<b>2-DOOR DUAL REFRIGERATOR 720L 0/-22°,PROSTORE-REM</b>
<b>691376</b>	<b>PS06RR2FR</b>	<b>i</b>		<b>00</b>	<b>2-DOOR DUAL REFRIGERATOR 720L 0/0°C,PROSTORE-REM</b>

**Index and pages**

		Last Updates	Page
Half Doors/Mezze porte	2		
Cooling unit / Gruppo	3	05 2017	all
Control panel/Pannello di controllo	4	08 2017	5
Cooling unit assembly remote/Gruppo refrigerante remoto	5		

Rev. 5

Grassetto = ultima modifica  
Bold = last change\* Componenti a richiesta  
\* Components on demand

From Ser. Nr.3391... / Up to Ser. Nr...

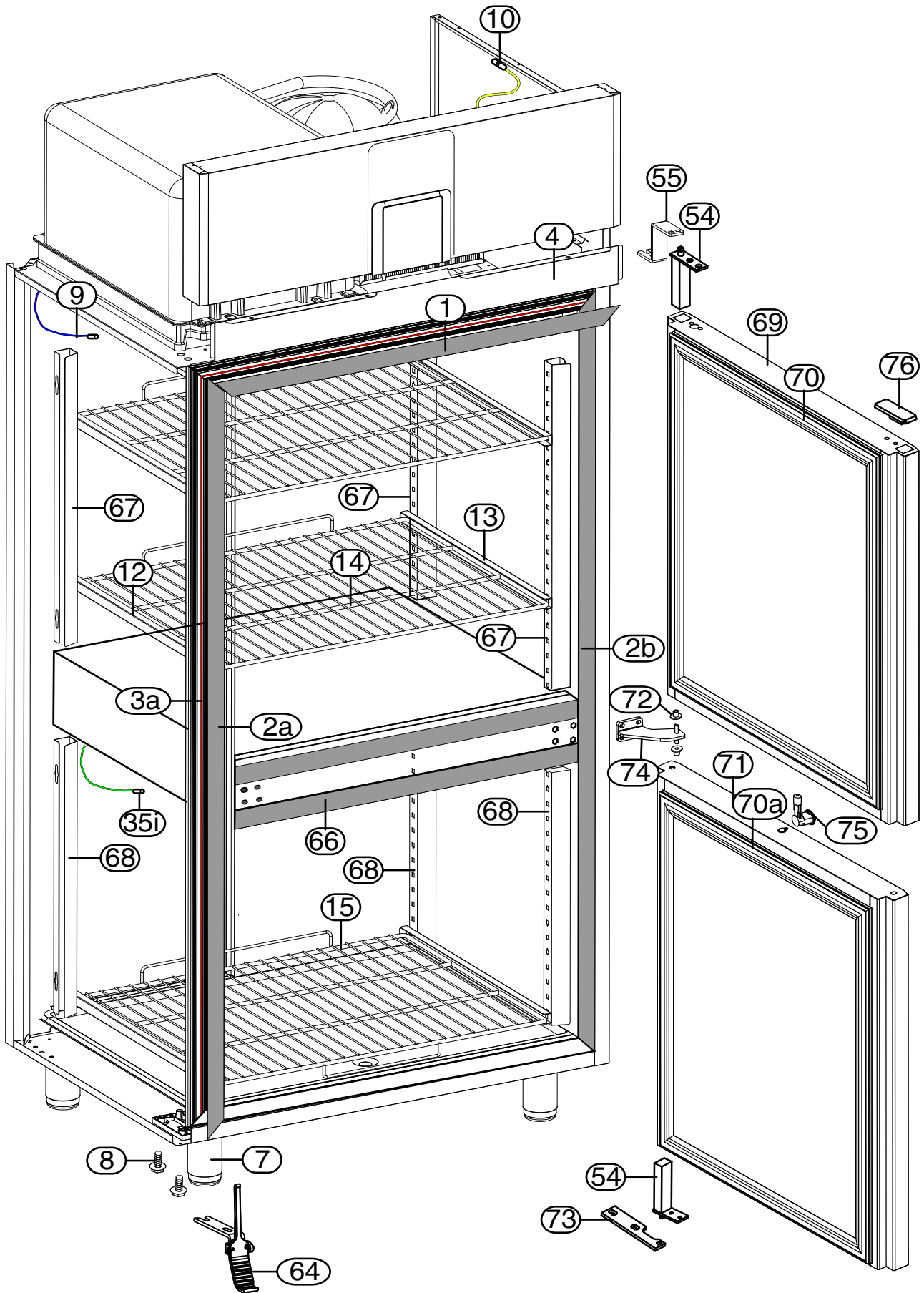
Ed. 05 May.-2017

Page: 1

Updated 11-2023

**Doc. Nr.: 560158**

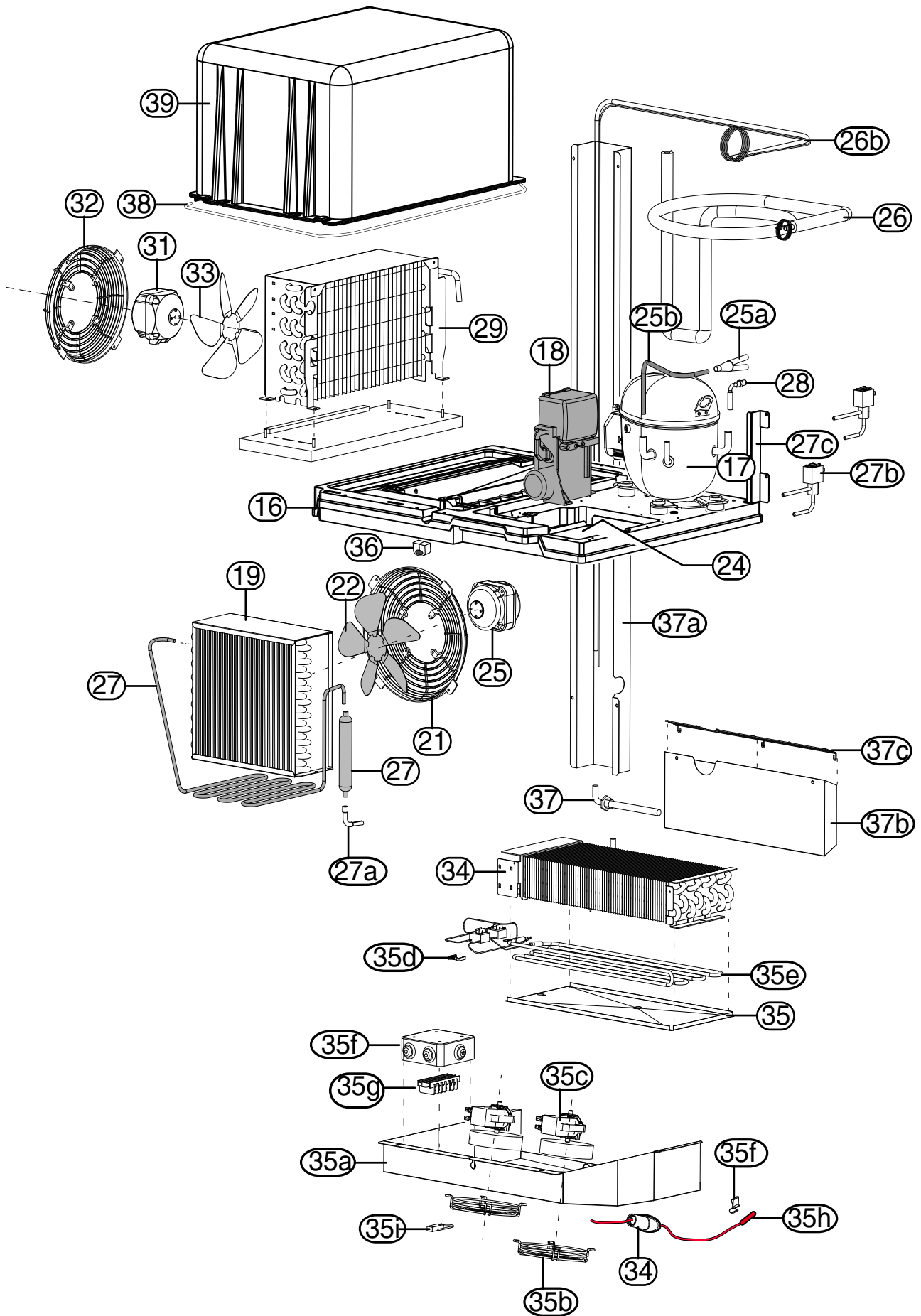
Half doors



Grassetto = ultima modifica  
 Bold = last change

\* Componenti a richiesta  
 \* Components on demand

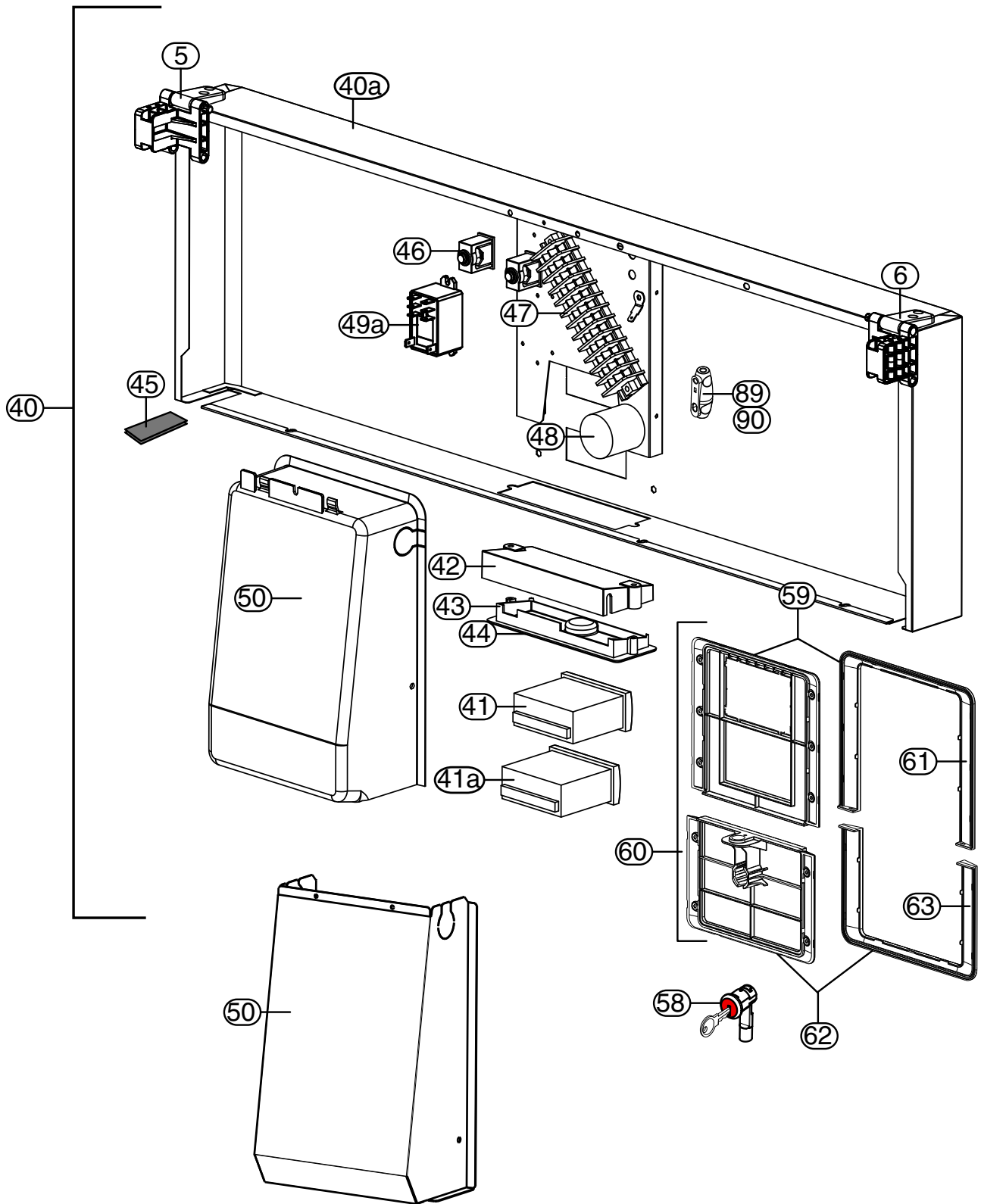
# Cooling unit



Grassetto = ultima modifica  
 Bold = last change

\* Componenti a richiesta  
 \* Components on demand

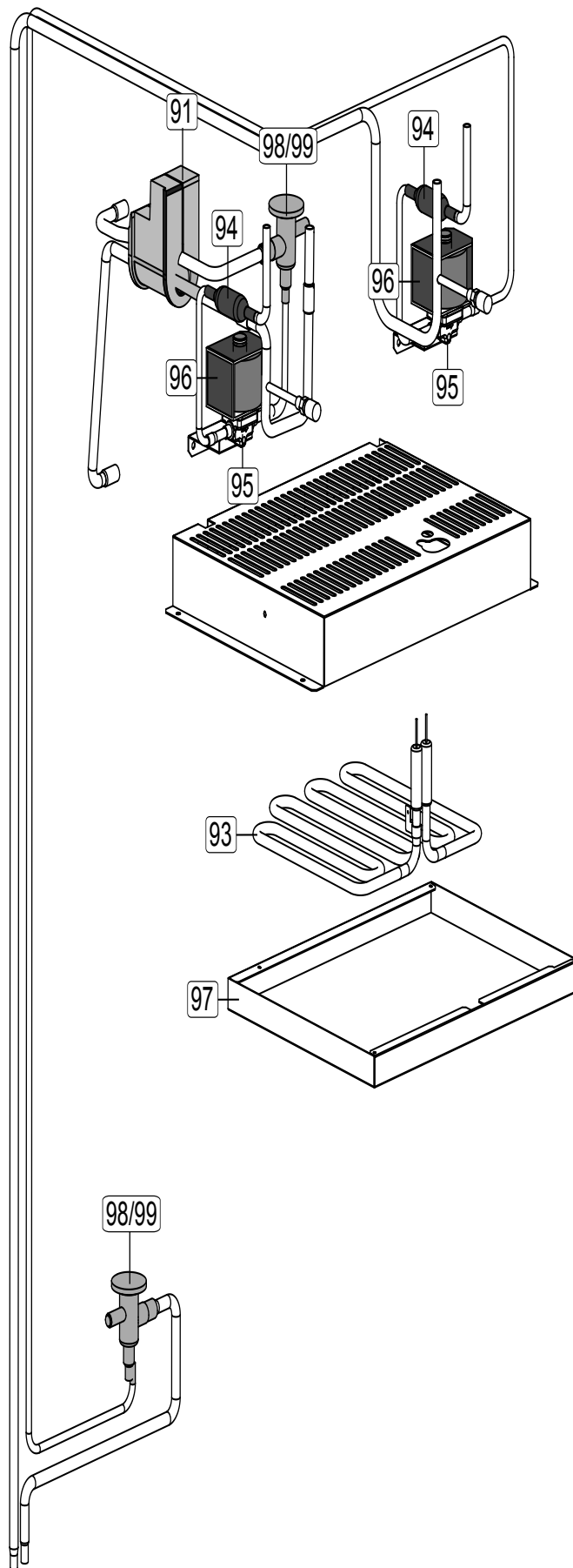
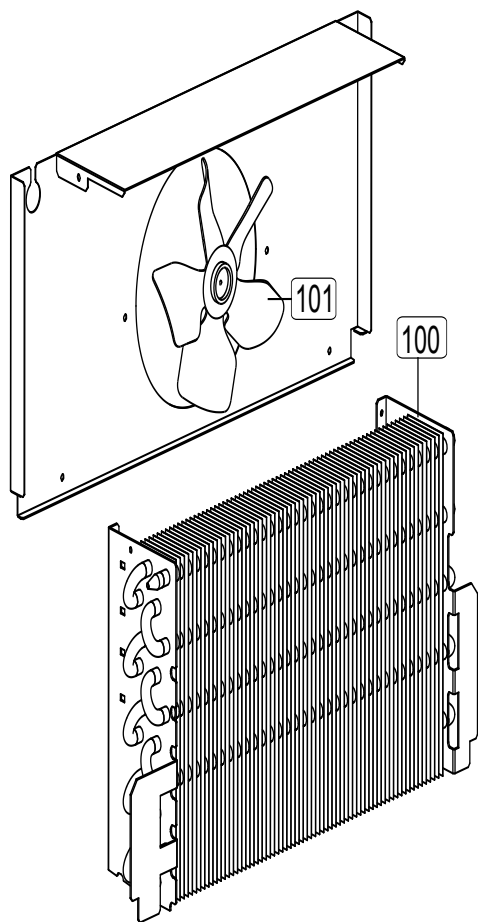
# Control panel



Grassetto = ultima modifica  
 Bold = last change

\* Componenti a richiesta  
 \* Components on demand

Cooling unit assembly remote/Gruppo refrigerante remoto



Grassetto = ultima modifica  
 Bold = last change

\* Componenti a richiesta  
 \* Components on demand

Pos	Code	Factory code	Descrizione	Description	Ref./Notes
1	094091	832R15000	Cornice orrizzontale sup/inf	Upper/lower gasket frame	
2a		832R172000	Cornice verticale sx	Vertical gasket frame left	
2b		832R172000	Cornice verticale dx	Vertical gasket frame right	
3a	094096	617R09500	Cavo riscaldante 5w/mt	Hot frame cable 5 w/mt	
4		501R90001	Copertura frontale	Front cover	
5	093609	832R10100	Cerniera cruscotto dx	Right hinge for control panel	
6	093610	832R10200	Cerniera cruscotto sx	Left hinge for control panel	
7	093243	541R05001	Piedino	Foot	
8	093245	217555204	Vite 7 X20	Screw 7X20	
9	092173	646R06700	Sonda cella 1500 mm 6x20 Blu	Cell probe 1500mm 6x20 Blue	a b g h i j
10	093371	646R10900	Sonda amb. 2000 mm 6x20 gialla	Amb. probe 2000 mm 6x20 yellow	a b c d e f g
12	094101	501R91201	Guida sx	Left support	
13	094103	501R91301	Guida dx	Right support	
14	094105	514R14900	Griglia	Shelf	a b c d e f
<b>14</b>	<b>097003</b>	<b>514R21600</b>	<b>Griglia</b>	<b>Shelf</b>	<b>g h i j</b>
15	094106	514R15000	Griglia di fondo	Bottom shelf	
16	094107	546R29700	Supporto gruppo	Cooling support	a b
16	094108	546R30200	Supporto gruppo	Cooling support	c d e f
17	093422	684R05800	Compressore NT2170U R290	Compressore NT2170U R290	a
17	093426	684R05900	Compressore EMT6152U R290	Compressore EMT6152U R290	b
<b>17</b>	<b>094840</b>	<b>684R11900</b>	<b>Compressore NEU2168U R290</b>	<b>Compressore NEU2168U R290</b>	<b>g</b>
18	*	*	Electrical box	Electrical box	
19	093333	830R04900	Condensatore alettato	Condenser	a g
19	093431	830R06601	Condensatore a fili	Wiring Condenser	b
20	092360	646R09400	Sonda condensatore NTC	Condenser probe NTC	
21	089755	546709500	Griglia supporto ventilatore cond.	Condenser fan protection	
22	089697	511708800	Ventola 230 31 condensatore	Condenser Fan 230 31	a b g
23	094110	515R23400	Serpentina condensatore	Condenser hot pipe	a c
23		515R23100	Serpentina condensatore	Condenser hot pipe	b
<b>23</b>	<b>097048</b>	<b>515R46700</b>	<b>Serpentina condensatore</b>	<b>Condenser hot pipe</b>	<b>g</b>
24	099871	502770300	Protezione fondo serpentina	Bottom protect. conden. hot pipe	a b g
24	091483	502774400	Protezione fondo	Bottom protection	c d e f h i j
25	093334	682R05300	Ventilatore condensatore	Condenser Fan VN 10 20	a b
<b>25</b>	<b>096995</b>	<b>682R14200</b>	<b>Ventilatore condensatore</b>	<b>Condenser Fan VNT 11-20</b>	<b>g</b>
25a		515R19501	Giunzioni per tubi scambiatore	Pipe connection	
25b		515R27602	Raccordo tubo da compressore	Pipe connection from compressor	a
25b		515R28501	Raccordo tubo da compressore	Pipe connection from compressor	b
<b>25b</b>		<b>515R46900</b>	<b>Raccordo tubo da compressore</b>	<b>Pipe connection from compressor</b>	<b>g</b>
26	094500	858R14400	Scambiatore con capillare	Heat exchanger with capillary	
26b	094492	858R14302	Scambiatore con capillare	Heat exchanger with capillary	
27	0A9410	805734802	Filtro deidratore gr 40	Dehydrator filter 40 gr	
27a	097130	515R13802	Racordo per cappillari	Pipe of junction capillary	
27b	094435	646R10502	Elettrovalvola	Solenoide valve	
27c		502R23102	Supporto elettrovalvole	Solenoide valve support	
28	0A9459	845708500	Valvola di ricarica compressore	Schraden Valve	a
28	0A8171	A02021800	Valvola di ricarica compressore	Schraden Valve	b g
28	085505	84571300	Valvola di ricarica compressore	Schraden Valve	c d e f h i j
29	094113	832R16700	Evaporatore 3R10T330A	Evaporator	
31	093367	682R05800	Ventilatore evaporatore	Evaporator Fan	a b

Grassetto = ultima modifica  
Bold = last change

\* Componenti a richiesta  
\* Components on demand



Pos	Code	Factory code	Descrizione	Description	Ref./Notes
31	<b>093334</b>	<b>682R05300</b>	<b>Ventilatore evaporatore</b>	<b>Evaporator Fan</b>	<b>c d e f</b>
31	<b>096231</b>	<b>682R12600</b>	<b>Ventilatore evaporatore</b>	<b>Evaporator Fan</b>	<b>g up to 2152</b>
31	<b>096995</b>	<b>682R14200</b>	<b>Ventilatore evaporatore</b>	<b>Evaporator Fan</b>	<b>g from 2162 up to 2493</b>
31	<b>096231</b>	<b>682R12600</b>	<b>Ventilatore evaporatore</b>	<b>Evaporator Fan</b>	<b>g from 2503</b>
31	<b>096995</b>	<b>682R14200</b>	<b>Ventilatore evaporatore</b>	<b>Evaporator Fan</b>	<b>h i j</b>
32	089770	546709600	Protezione ventola evaporatore	Evaporator fan protection	
33	082874	511R01900	Ventola 200X34	Fan 200x34	a b g
<b>33</b>	<b>093783</b>	<b>511R01200</b>	<b>Ventola 200X34</b>	<b>Fan 200x34</b>	<b>c d e f h i j</b>
34	094499	544R03200	Evaporatore vano inferiore	Evaporator lower comp.	a b g
34	094618	830R10500	Evaporatore vano inferiore	Evaporator lower comp.	c d e f h i j
34a	091652	544R02501	Tubo in gomma stampato	Rubber pipe	
35		502R39601	Baccinella inferiore evap.	Evap. Lower basin	
35a		833R28302	Ass. Carter vano inferiore	Carter lower compartment	
35b	094493	514R17701	Griglia protezione ventilatori	Protection fan	
35c	093872	682R07401	Ventilatore vano inferiore Fime	Fan motor lower compartment	a b c d e f
<b>35c</b>	<b>097047</b>	<b>682R08000</b>	<b>Ventilatore vano inferiore Fime</b>	<b>Fan motor lower compartment</b>	<b>g h i j</b>
35d	093487	514R11601	Molla fissaggio termostato	Retain spring for heating elem.	
35e		617R11301	Resistenza evaporat. vano inferiore	Defrost heater lower compartment	a g
35f	093593	639R11600	Cassetta gewiss	Gewiss box	
35g	0A9312	639712400	Morsettiera vano inferiore	Clamp lower compartment	
35f	093547	514R12900	Molla per fissag. cavo riscaldante	Spring retaining hot cable	a g
35h	094501	617R11500	Resistenza scarico condensa	Hot cable for disch. water conden.	a c g h j
35i	092183	646R07800	Sonda verde vano inferiore	Green probe lower compartment	
35l	092319	640R01402	Microinteruttore vano inferiore	Micro switch lower compartment	
36	094119	546R30100	Tamponcino uscita tubi	Gasket pipe	
37	083814	617R03800	Resistenza scarico H2O	Discharge heating element	
37a		502R59902	Copertura tubi posteriore	Back cover	
37b		502R32701	Baccinella posteriore	Back water basin	
37c		514R18701	Griglia di protezione	Protection grid for water basin	
38	089613	569701800	Guarnizione campana	Gasket cover	
39	090079	877718902	Campana	Cover	
40		881R14000	Modulo pannello comandi completo	Complete control panel	a
40		881R17000	Modulo pannello comandi completo	Complete control panel	b
40		881R31000	Modulo pannello comandi completo	Complete control panel	c d e f
<b>40</b>		<b>883R47401</b>	<b>Modulo pannello comandi completo</b>	<b>Complete control panel</b>	<b>g</b>
<b>40</b>		<b>883R47700</b>	<b>Modulo pannello comandi completo</b>	<b>Complete control panel</b>	<b>h i j</b>
40a	095468	501R91700	Pannello comandi	Control panel	
41	093437	646R11401	Termoregolatore Ir 33 principale	Digital control iR33 main	
41a	093439	646R10602	Termoregolatore Ir 33 secondario	Digital control iR33 slave	
42	093387	546R19600	Coperchio supporto scheda led	Cover led light	
43	093810	855R12701	Assieme scheda led	Led light	
44	093390	569R05900	Guarnizione supporto scheda led	Led gasket	
45	093269	541R05401	Tappo fori cerniere	Plug for hinge	
46	094127	639700500	Ferma cavo	Wiring stopper	
47	093599	639R01000	Morsettiera	Clamp	
<b>48</b>	<b>096636</b>	<b>694R00502</b>	<b>Filtro antidisturbo</b>	<b>Electrical filter</b>	
49a	093848	648R06300	Relè 66.82.8.230.0001	Relay	a g

Grassetto = ultima modifica  
Bold = last change

\* Componenti a richiesta  
\* Components on demand

Pos	Code	Factory code	Descrizione	Description	Ref./Notes
50	095867	546R30800	Copertura termoregolatore	Back protection for control panel	a b c d e f
<b>50</b>	<b>097016</b>	<b>504R26100</b>	<b>Copertura termoregolatore</b>	<b>Back protection for control panel</b>	<b>g h i j</b>
54	082219	835704001	Cerniera superiore	Upper hinge door	
55	094131	505R15802	Staffa superiore	Upper braket door	
58	093345	833R20900	Serratura porta	Lock	
59		855R11400	Ass. mascherina cruscotto elux	Template control panel elux	a c g h j
59		855R12300	Ass. mascherina cruscotto elux	Template control panel elux	b d e f i
60	093596	855R11701	Ass.masch., porta e crusc. elux	Templete door and cont. pan. elux	a c g h j
60	094211	855R12001	Ass.masch., porta e crusc. elux	Templete door and cont. pan. elux	b d e f i
61		546R20000	Cornice cromata cruscotto elux	Crome frame template control p.	
62		855R10501	Ass. mascherina porta elux	Templete door elux	
63		546R20200	Cornice cromata porta elux	Crome frame template door elux	
64	094132	833R27200	Pedale apertura porta Sx	Door pedal (left)	
64	094133	833R27100	Pedale apertura porta Dx	Door pedal (right)	
66	094138	832R15500	Cornice traversa	Half doors frame support	
67	094139	501R96401	Cremagliera anteriore superiore	Front rack upper support	
68	094140	501R96501	Cremagliera anteriore inferiore	Front rack lower support	
<b>69</b>	<b>094141</b>	<b>835R36505</b>	<b>Ass. porta superiore con guarniz.</b>	<b>Upper door with gasket</b>	
70	094158	548R09000	Guarnizione mezza porta sup	Half door gasket upper	
70a	094159	548R09000	Guarnizione mezza porta inf	Half door gasket lower	
71	094142	835R36604	Ass. porta inferiore con guarnizi.	Lower door with gasket	
72	093392	546R21100	Boccole per cerniera	Bush for half door	
73	093713	505R14200	Staffa inferiore	Lower bracket	
74	093344	505R12400	Staffa centrale	Central bracket	
75	093433	833R21100	Serratura mezze porte	Lock half doors	
76	093271	541R05301	Tappo fori cerniere	Door hinge plug	
89	091981	639720701	Blocchetto porta fusibile max 10A	Fuse support max 10 A	
90		652R00400	Fusibile 2A 5X20	Fuse 2A 5x20	
91		546R30900	Insulation pipe and wiring	Tamponcino uscita tubi/cavi	c d e f h i j
93	094143	617R09800	Heater	Resistenza evaporaz. remoti	c d e f h i j
94	090229	525719000	Gas filter	Filtro meccanico a retina D6.2	c d e f h i j
95	090230	646742400	Body solenoid valve	Elettrovalvola 032F7261 EVR3	c d e f
<b>95</b>	<b>094435</b>	<b>646R10502</b>	<b>Elettrovalvola</b>	<b>Solenoid valve</b>	<b>h i j</b>
96	088351	646749000	Coil	Bob.clip 10W EVR6 220-230/50-60	c d e f h i j
97		512704103	Tray	Bacinella per new Prostore	c d e f h i j
98	088501	646751900	Thermostatic valve	Valvola R404A ugello 1	c d e h i
98	087333	646740901	Thermostatic valve	Valvola R404A ugello 1	d
98	095674	646R16000	Thermostatic valve	Valvola R449A ugello 1	f
<b>98</b>	<b>095541</b>	<b>646R13900</b>	<b>Thermostatic valve</b>	<b>Valvola R449A ugello 1</b>	<b>j</b>
99	089614	565717600	Insulation thermostatic valve	Isolante per valvola termostatica	c d e f h i j
100	094203	832R17001	Evaporator	Ass. evaporatore 2R remoto	c d e f h i j
101	093783	511R01200	Fan	Ventola aspirante ALL. 200X28	c d e f h i j

Grassetto = ultima modifica  
 Bold = last change

\* Componenti a richiesta  
 \* Components on demand